

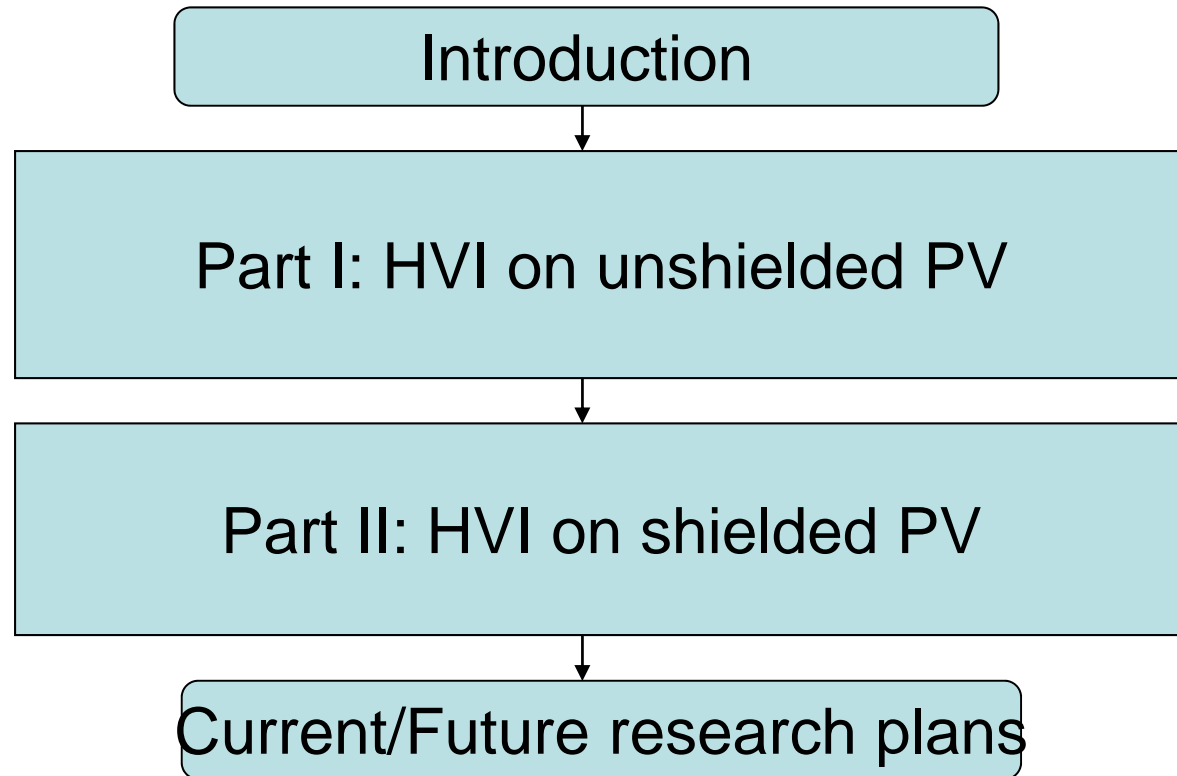
Orbital Debris: Effect on Spacecraft Pressurized Structures

Igor Telichev

UNIVERSITY OF MANITOBA



Presentation outline



MANITOBA



AEROSPACE



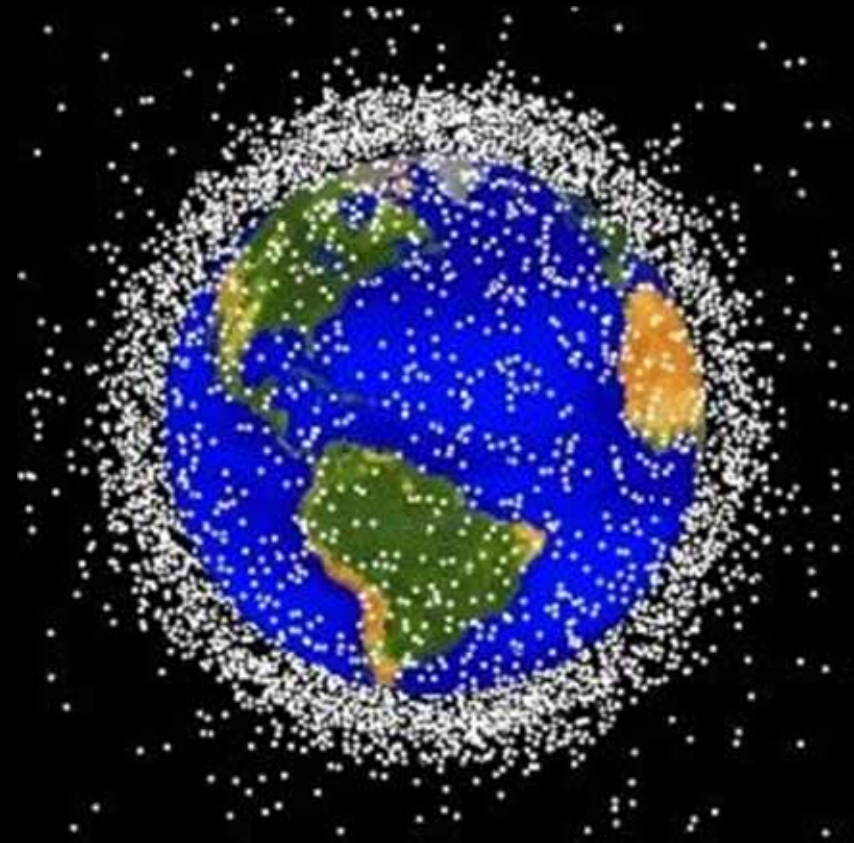
- University of Manitoba
- Bristol Aerospace (Magellan), Winnipeg
- Boeing, Winnipeg
- Standard Aero, Winnipeg
- ❖ Canadian Space Agency

Space Debris Population

- 17,300 objects
size > 10 cm
– detectable
- 300,000 objects,
size 1-10 cm
– non-detectable
- Millions objects,
size < 1 cm
– non-detectable

(by Secure World Foundation)

Av. $V=11$ km/s



Space debris distribution in Low Earth Orbit
© NASA



Debris Source

- Rocket bodies
- mission related debris
- fragmentation debris
- dysfunctional spacecraft



Debris Source

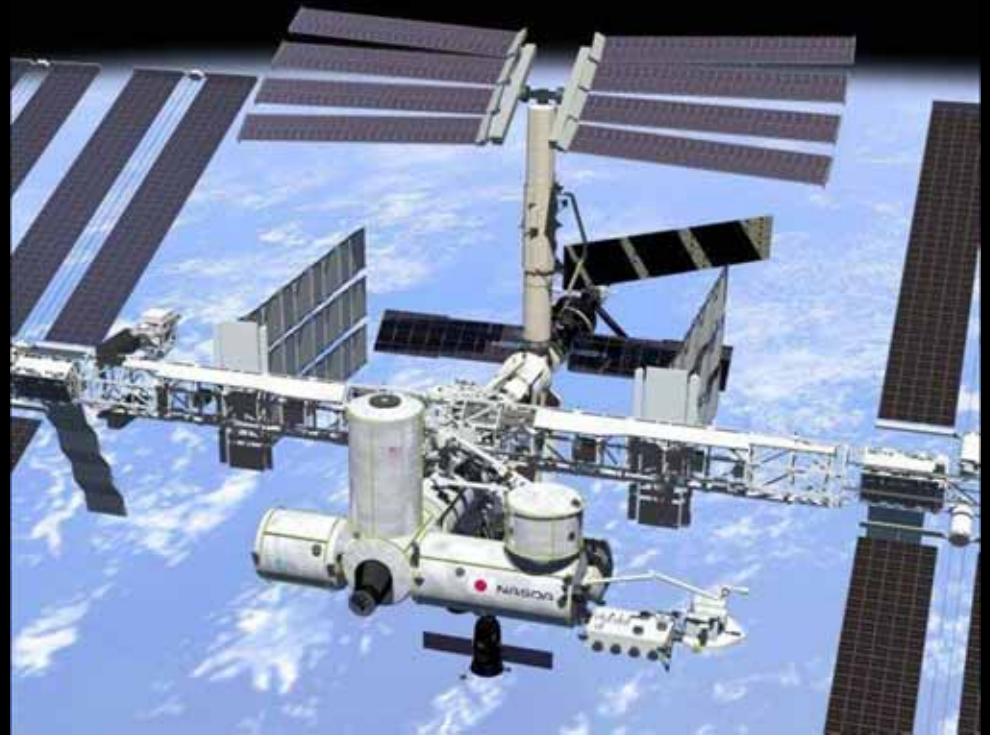
- Trackable
- Non-trackable

- Orbital debris impacts are random events, and for the untrackable objects it is not possible to precisely determine exactly when or where an impact will occur on a spacecraft.
- The untrackable orbital debris has become a major design consideration in the development of spacecraft and vulnerability/survivability analysis.

- Spacecraft pressurized structures are identified as the most critical components exposed directly to the orbital debris environment

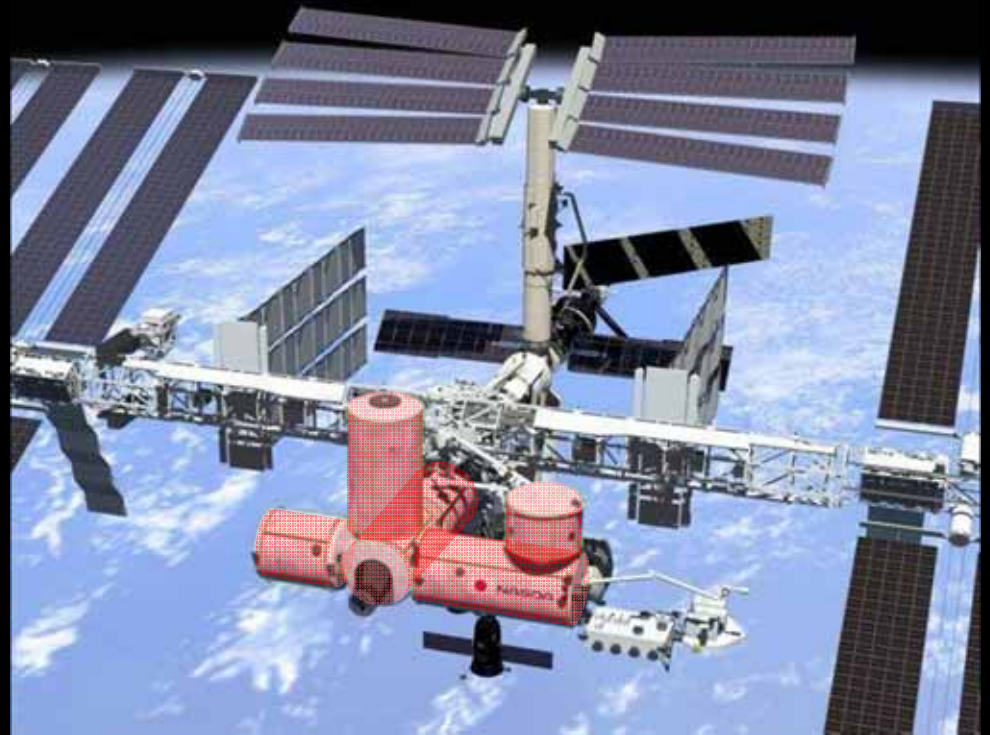
Types of Pressure Vessels

- Spacecraft pressurized modules (low pressure)
- Onboard system pressure vessels (high pressure)



Types of Pressure Vessels

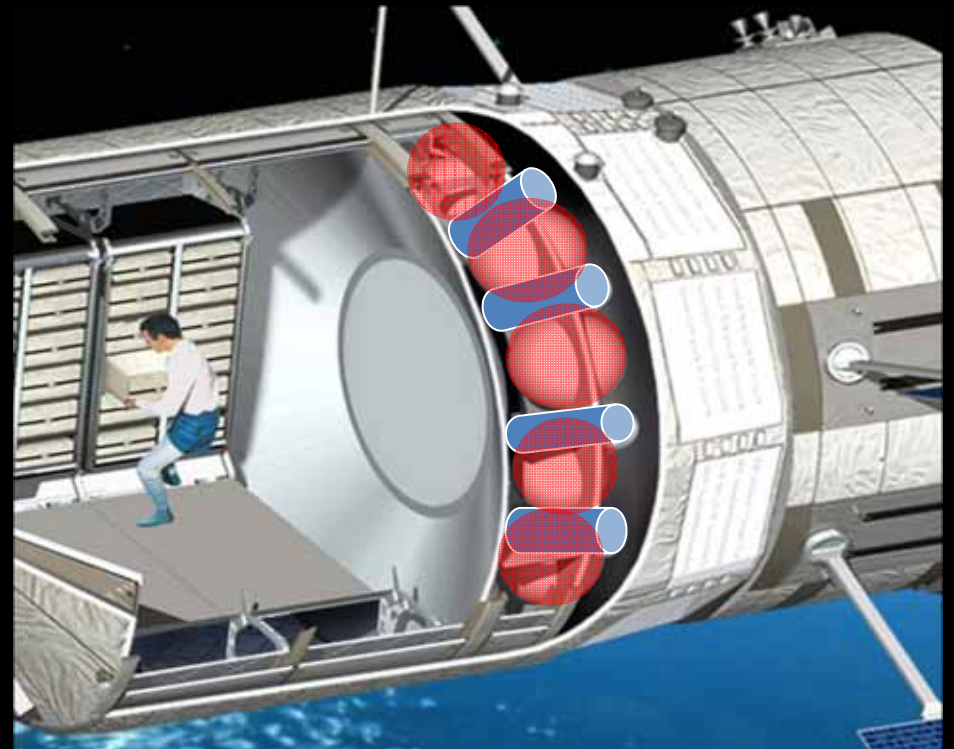
- Spacecraft pressurized modules (low pressure)
- Onboard system pressure vessels (high pressure)



Low internal pressure (~ 0.1 MPa) and a relatively large size ($\sim 4 \times 7$ m)

Types of Pressure Vessels

- Spacecraft pressurized modules (low pressure)
- Onboard system pressure vessels (high pressure)



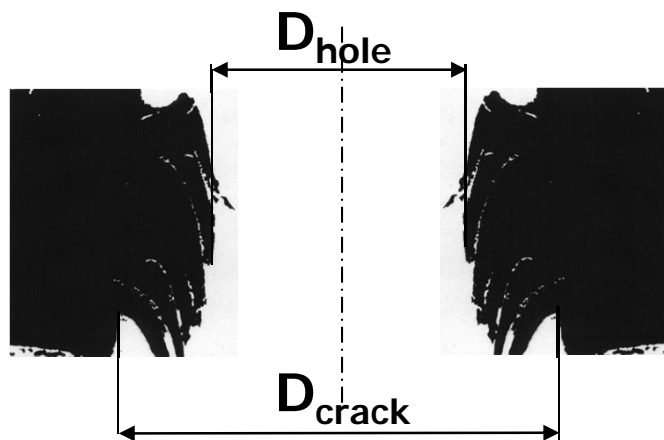
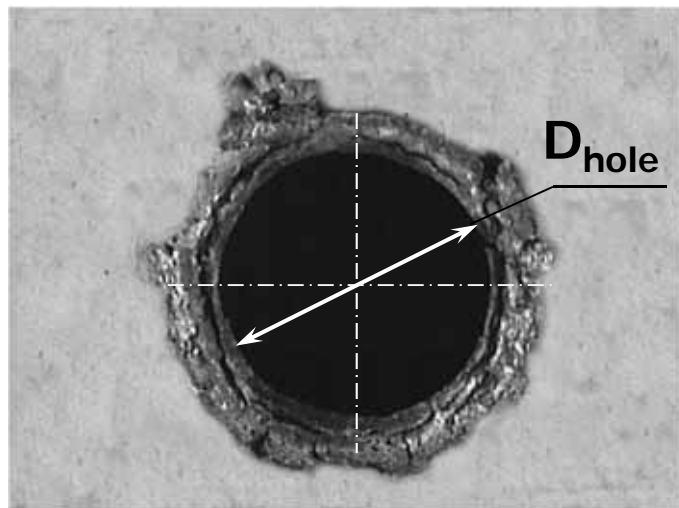
Smaller size (ID < 1.0 m) and significantly higher internal pressure (up to 40 MPa)

Purpose of the study

The main purpose of the study is to define the border between simple perforation and catastrophic fracture of pressure vessels subjected to high-velocity impact

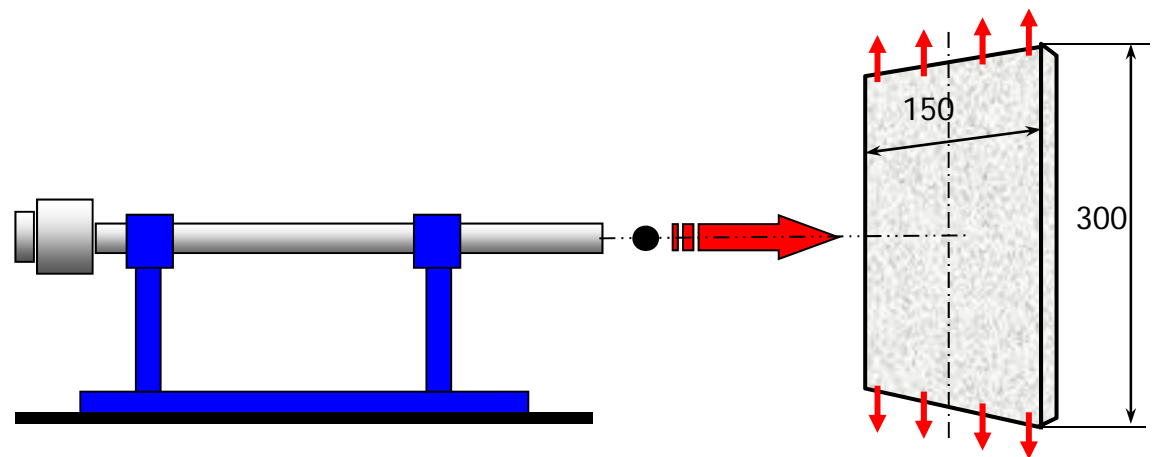
Impact and Tensile tests

Parameters of damaged zone



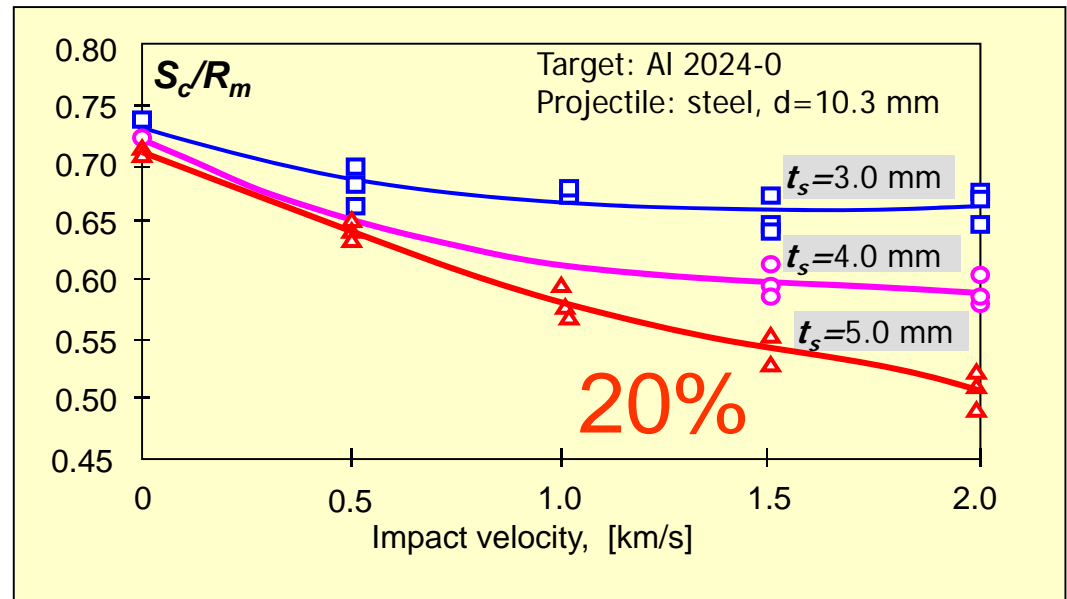
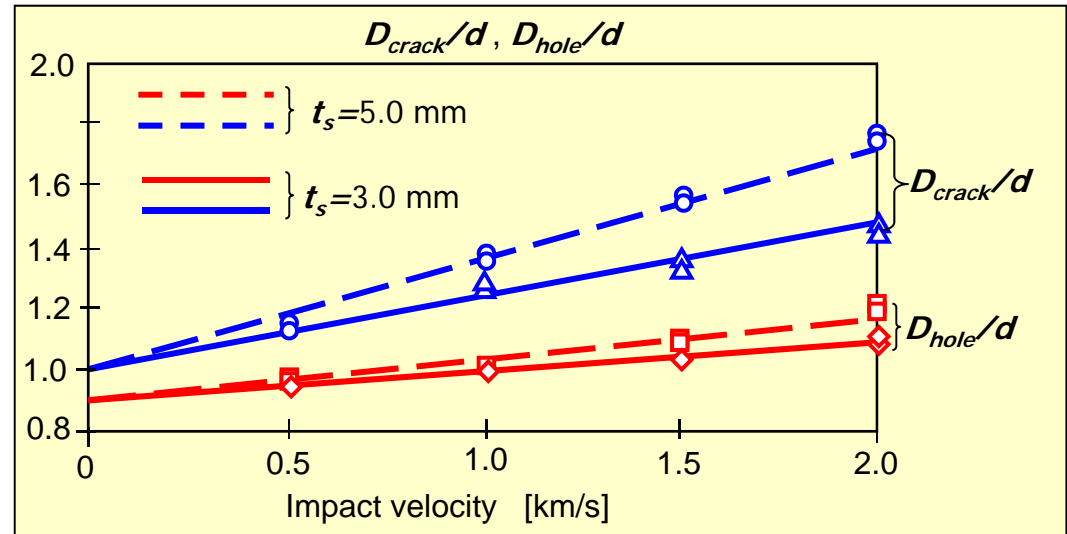
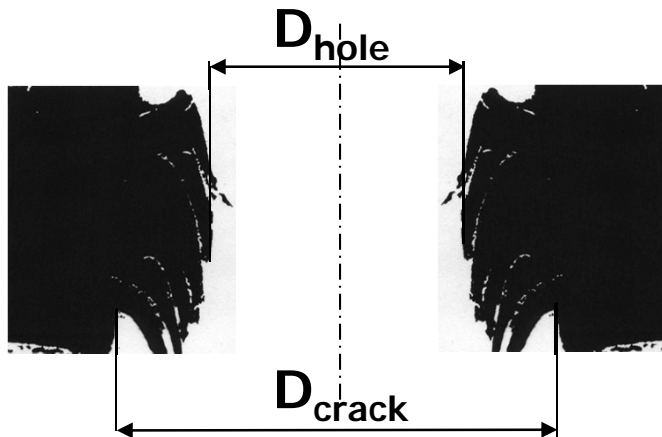
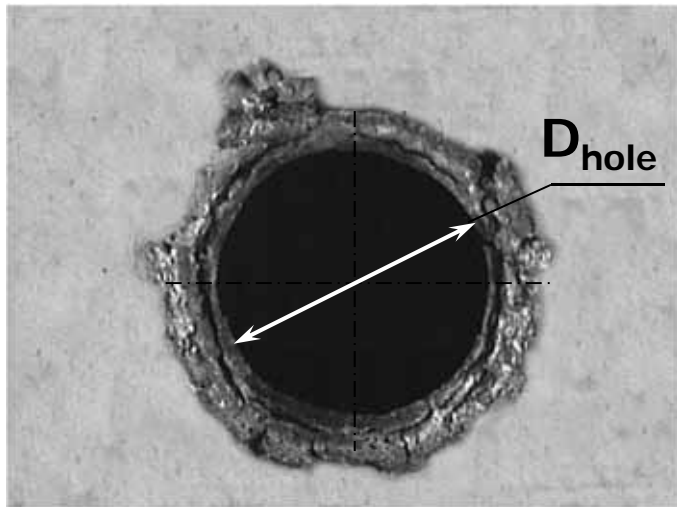
Impact test setup

- Impact velocity: $V=0.5...2.0$ km/s
- Projectiles: Al, steel spheres; $d=4.5...17.5$ mm
- Target: Al 2024-0, AlMg6, steel; $t_s=0.5...5.0$ mm

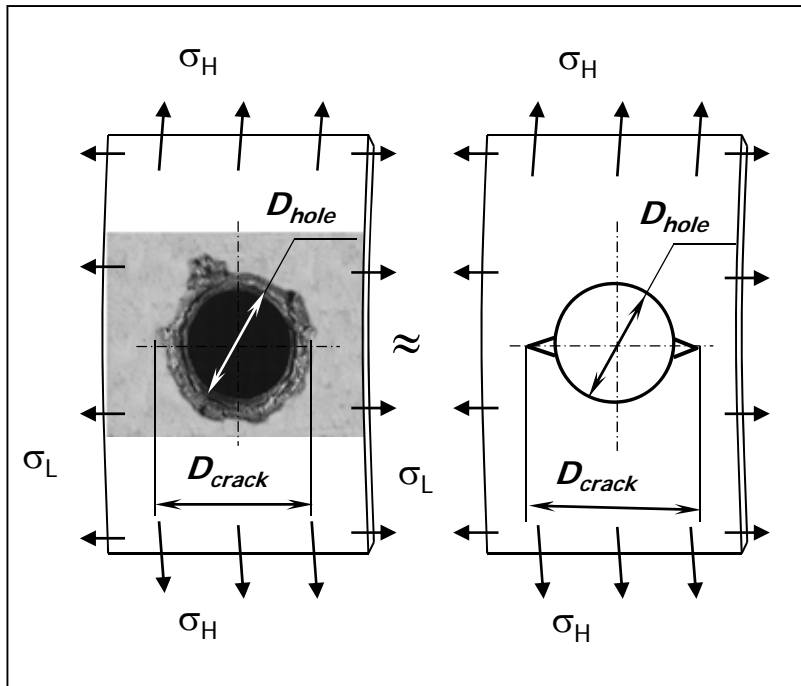


Residual Strength of Impacted Samples

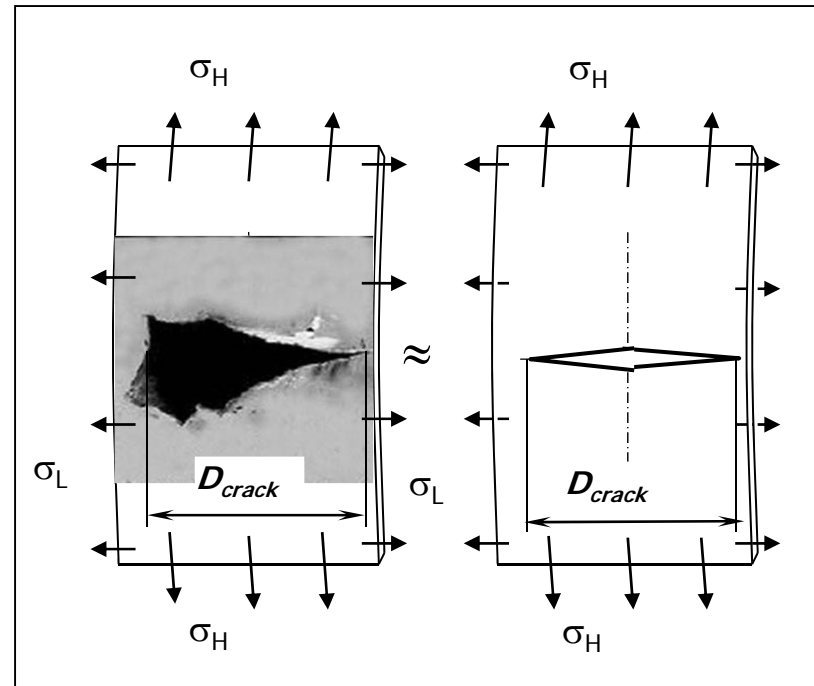
Parameters of damaged zone



Models of Impact Hole

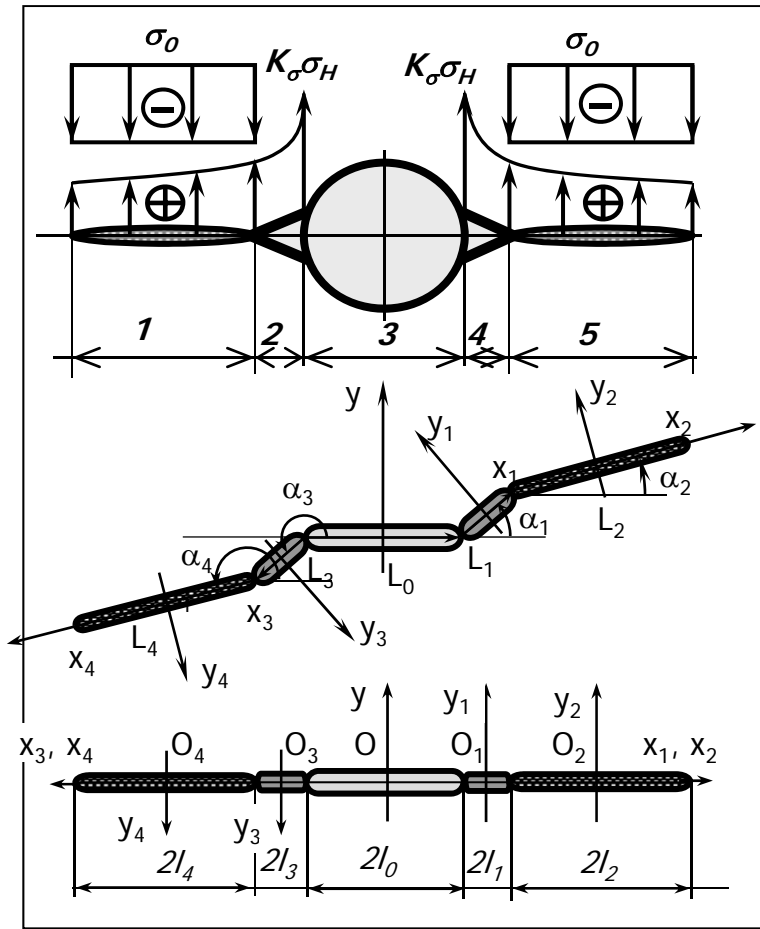


Model of front impact hole



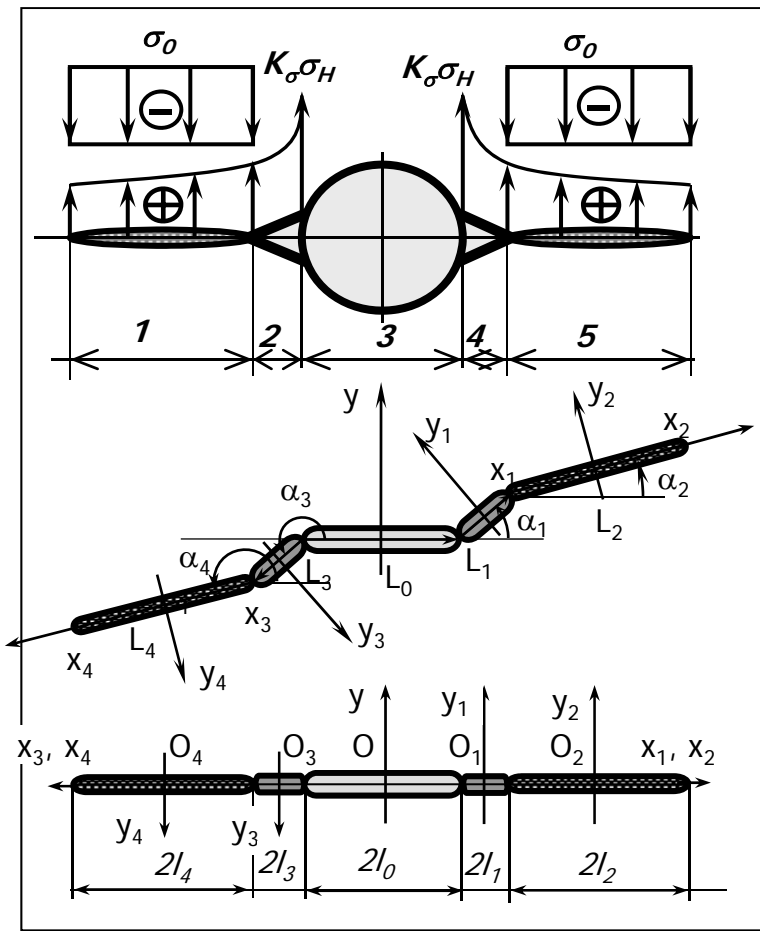
Model of rear impact (petal) hole

Model of Crack Initiation and Propagation

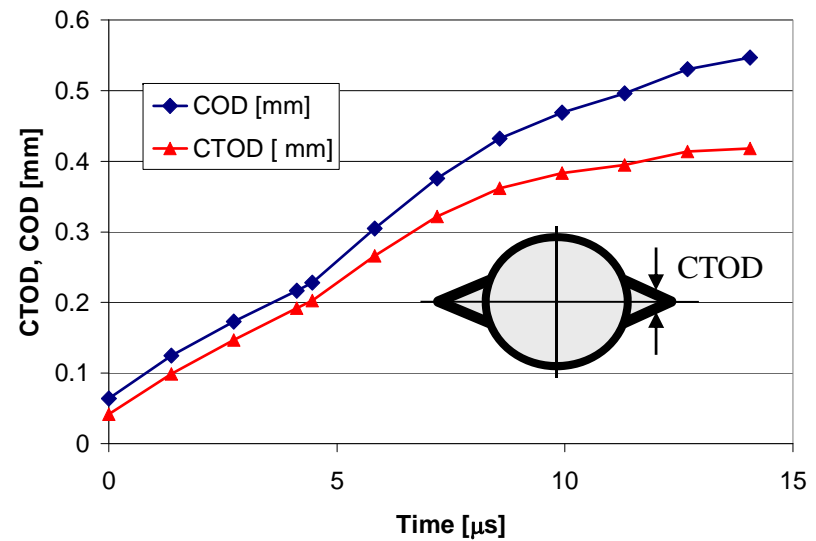


The crack will grow if the crack tip opening displacement (CTOD) exceeds its critical value (CTOD-criterion)

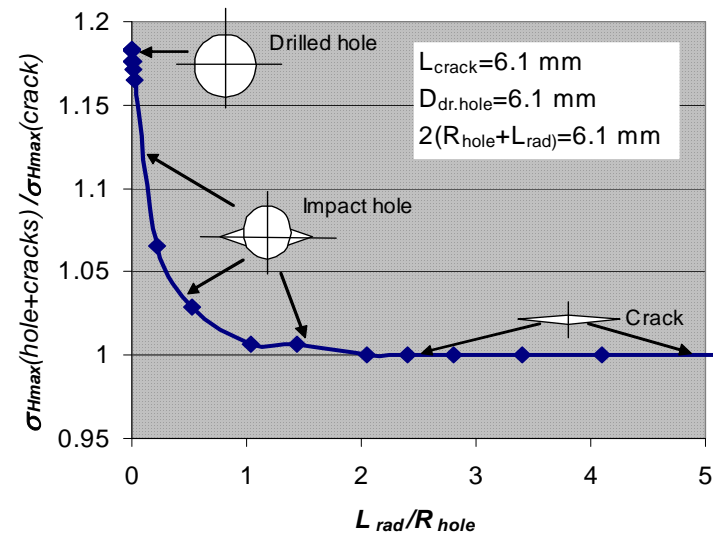
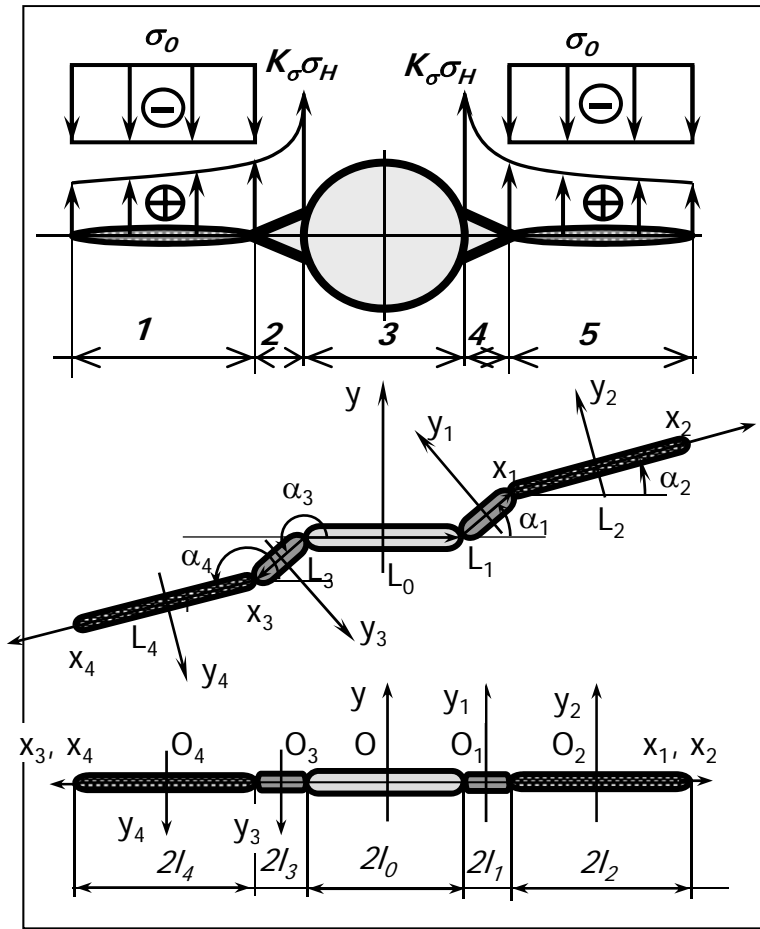
Model of Crack Initiation and Propagation



Evolution of CTOD (crack tip opening displacement)



Model of Crack Initiation and Propagation



Code for impact-damaged Pressure Vessels

- Survivability analysis (burst/no burst)
- Residual strength analysis (critical pressure)
- Simulation of crack propagation



Institut
Kurzeitdynamik
Ernst-Mach-Institut

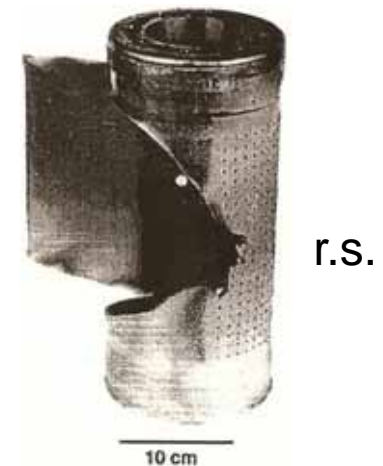
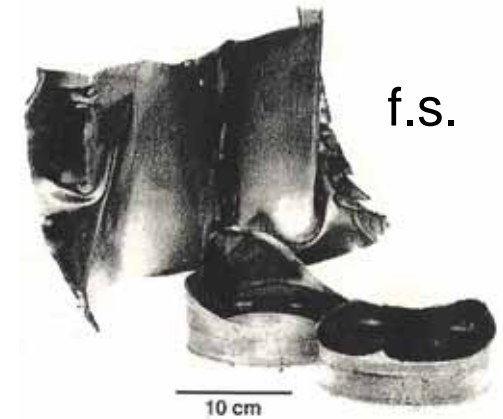


Columbus Mission

European Space Agency

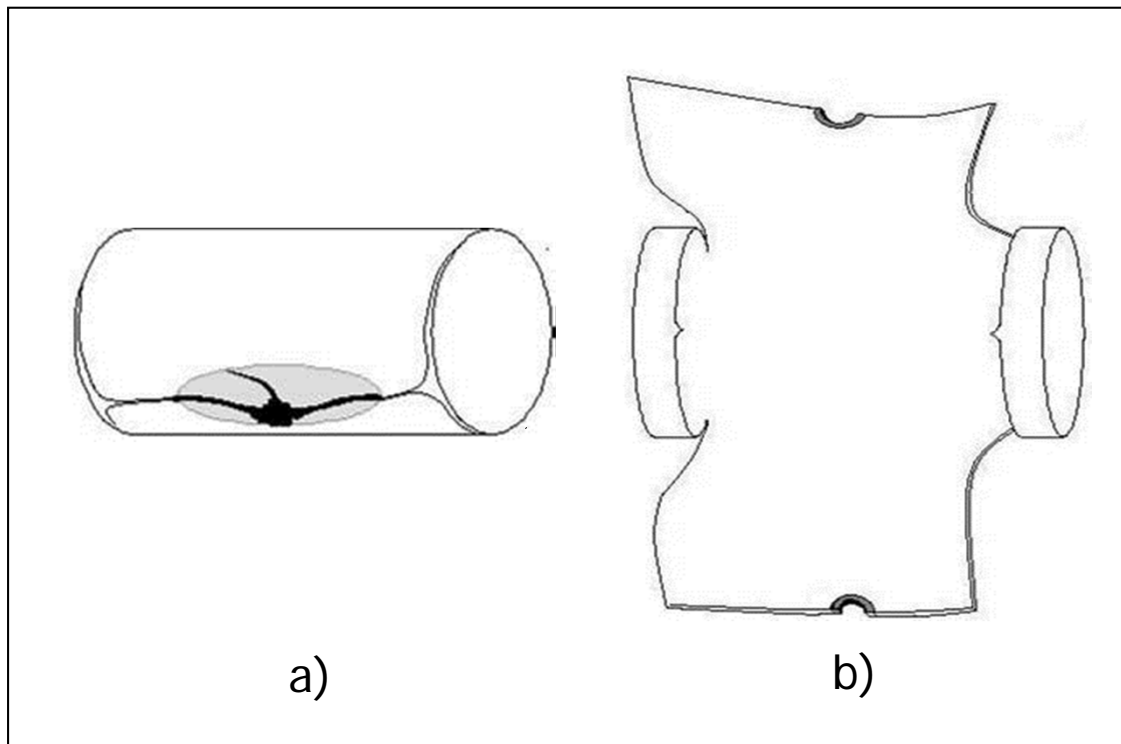


Failure analysis of pressure vessels onboard International Space Station-module Columbus



Pressure vessels failure
© ESA

Pressure Vessels Failures

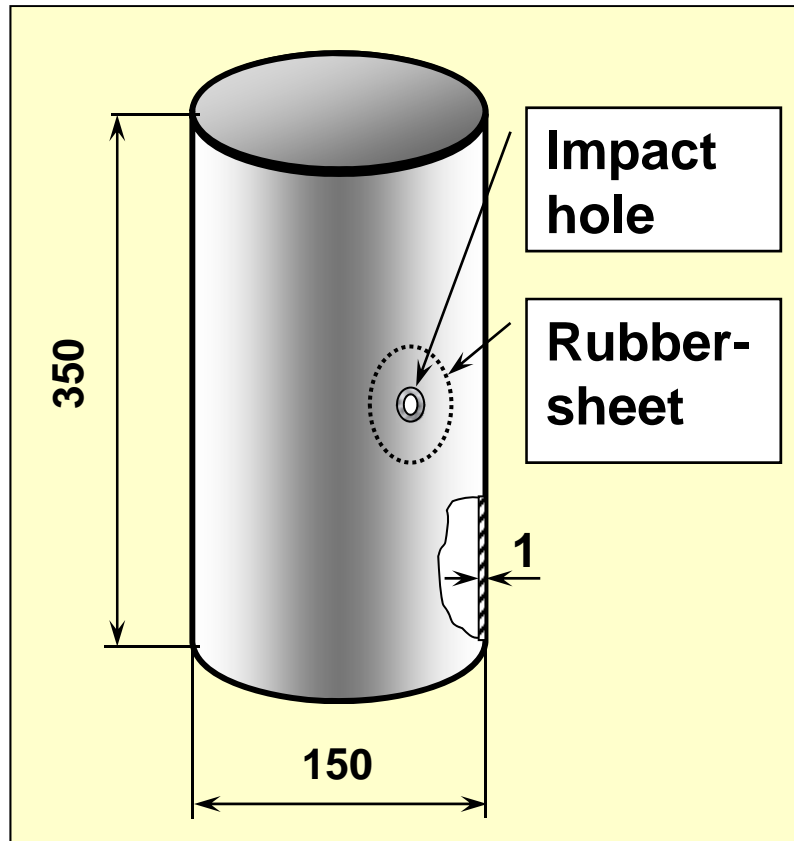


a) Rear side rupture

b) Front side fracture

Fracture of the damaged pressure vessels under quasi-static inflation

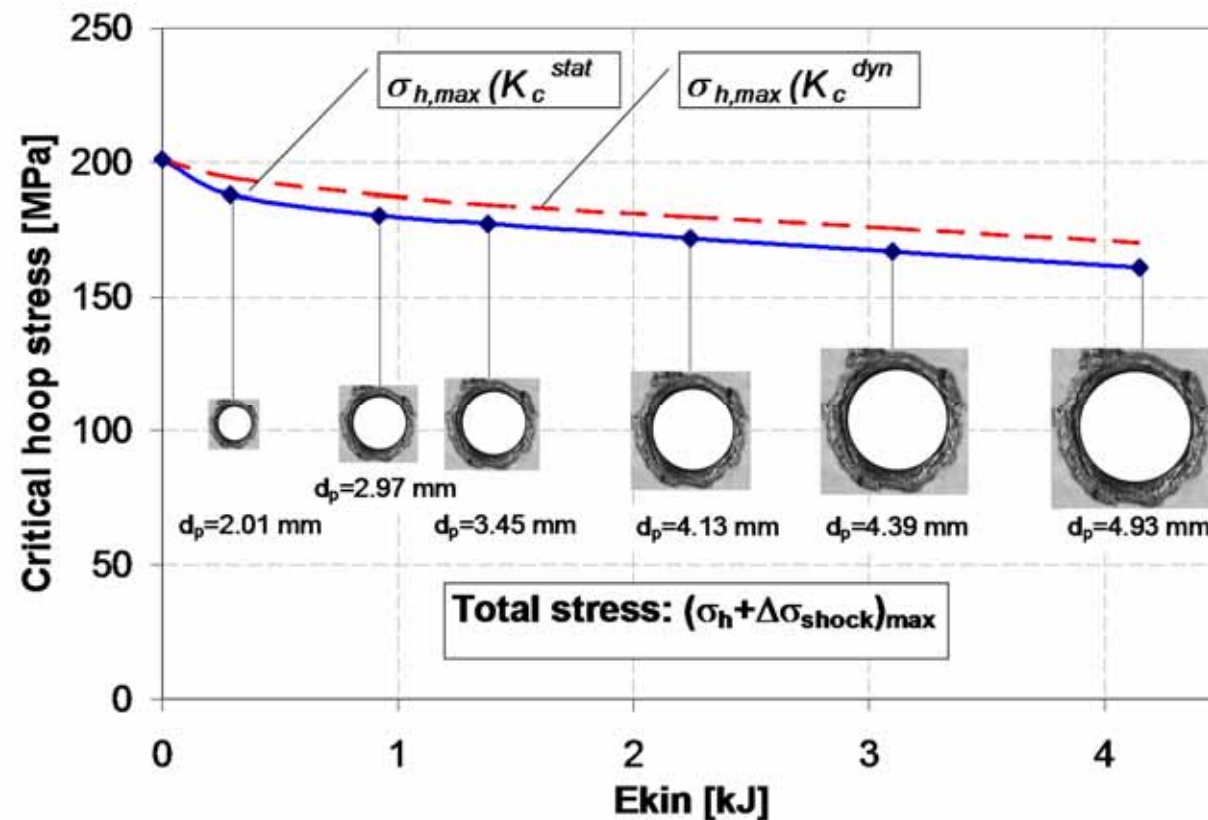
Test sample (AlMg3)



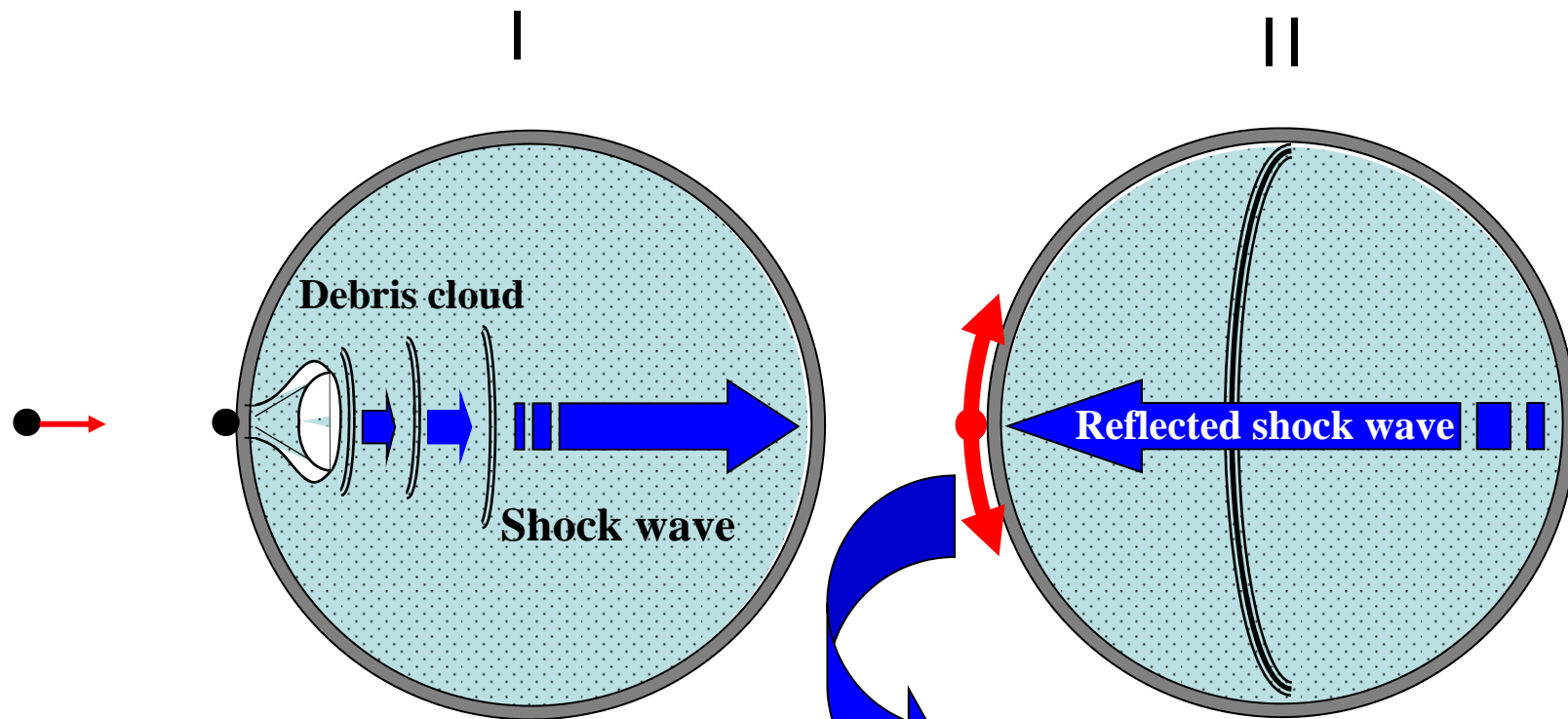
- **Test:** inflation until burst occurred
- **Goal:** burst pressure

Calculation/test variation < 5%

Computed values of critical hoop stress (fracture from the front side)



Basic stages of pressure vessel fracture

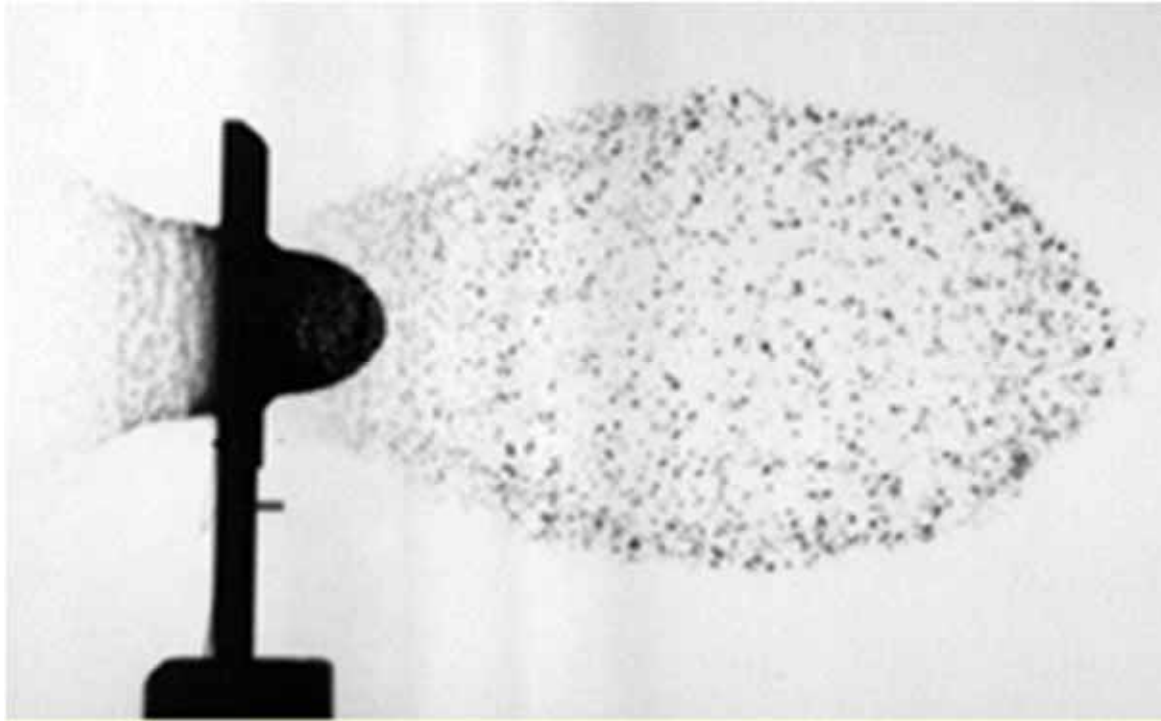


I. Ye. Telitchev, D. Eskin, "Engineering model for simulation of debris cloud propagation inside gas-filled pressure vessels", *International Journal of Impact Engineering*, Elsevier Science, Vol. 29, pp. 703-712, 2003.

Total stress: $\sigma_h + \Delta\sigma_{\text{shock}}$

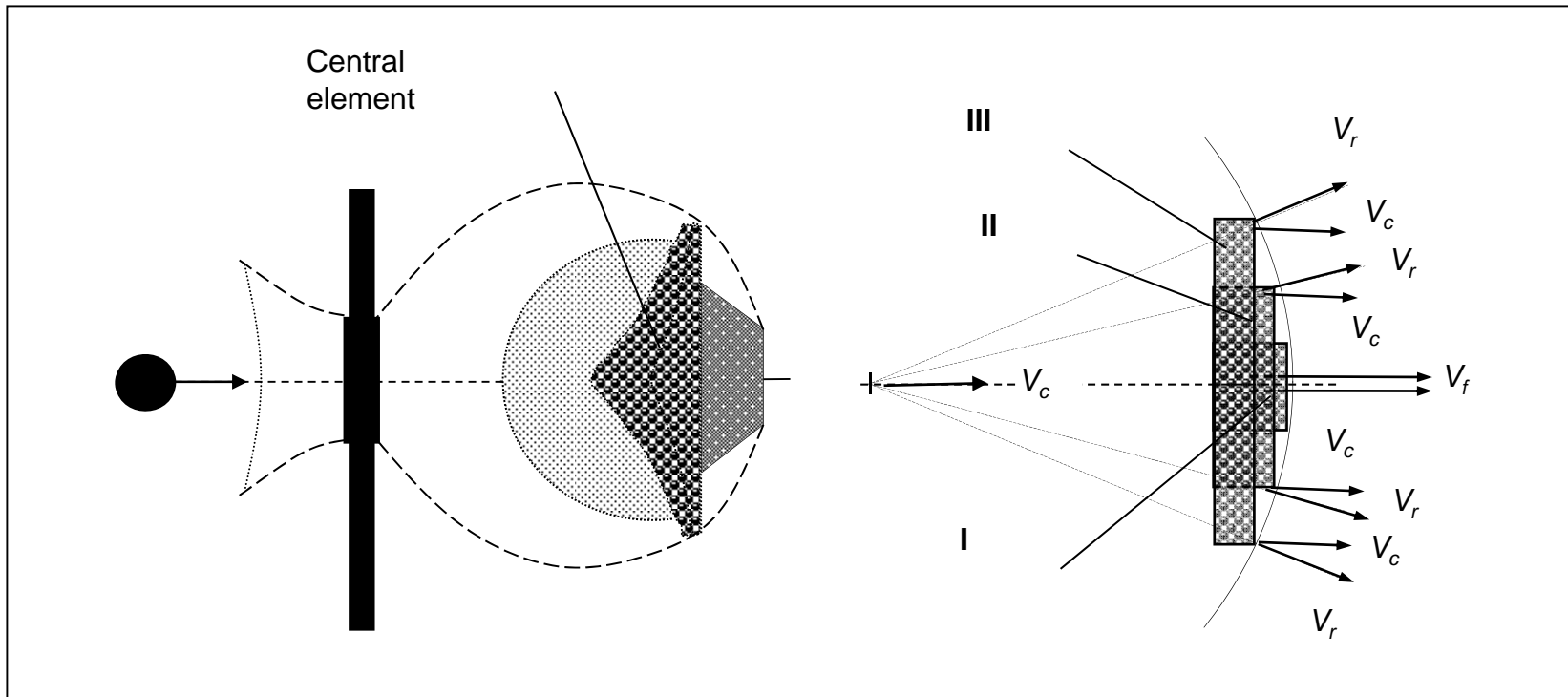
Critical stress: $\sigma_c(p_0, E_{\text{kin}})$

Debris Cloud



Impact of al. sphere on a titanium shield at 5.7 km/s (Fhg-EMI)

Model of Debris Cloud

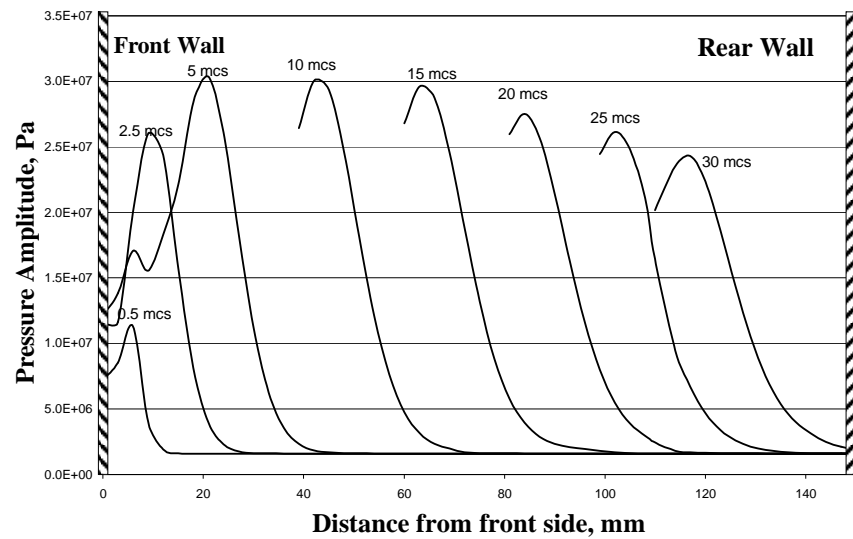


I. Ye. Telitchev, D. Eskin, "Engineering model for simulation of debris cloud propagation inside gas-filled pressure vessels", *International Journal of Impact Engineering*, Elsevier Science, Vol. 29, pp. 703-712, 2003.

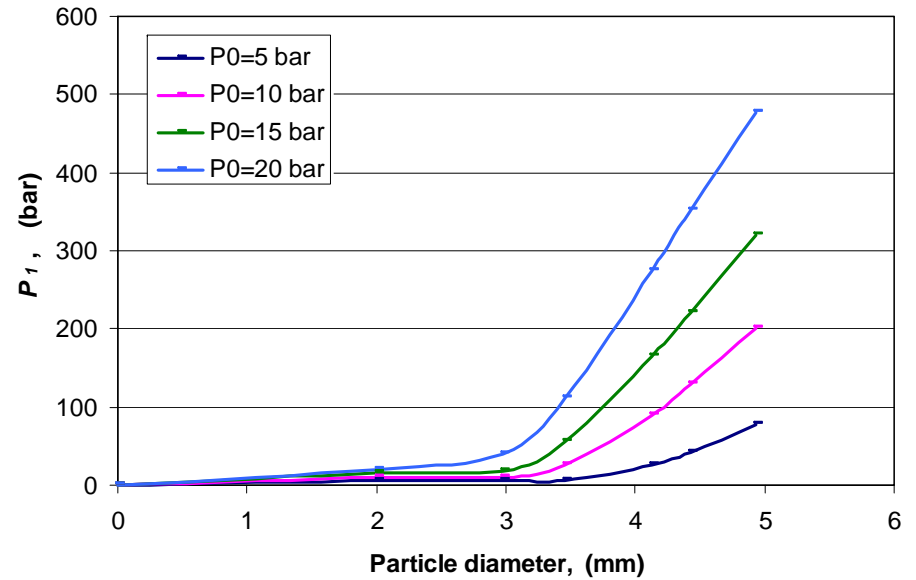
Debris Cloud/Gas Interaction

- Two-phase flow model
- Dual role of the density of gas inside the vessel:
 - a) protection of pressure vessel back wall due to fragments deceleration;
 - b) generation of the strong shock wave which can cause failure of structure.

Model of Debris Cloud –Gas Interaction

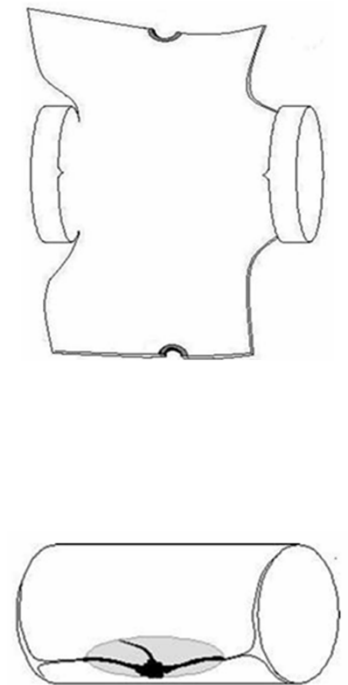
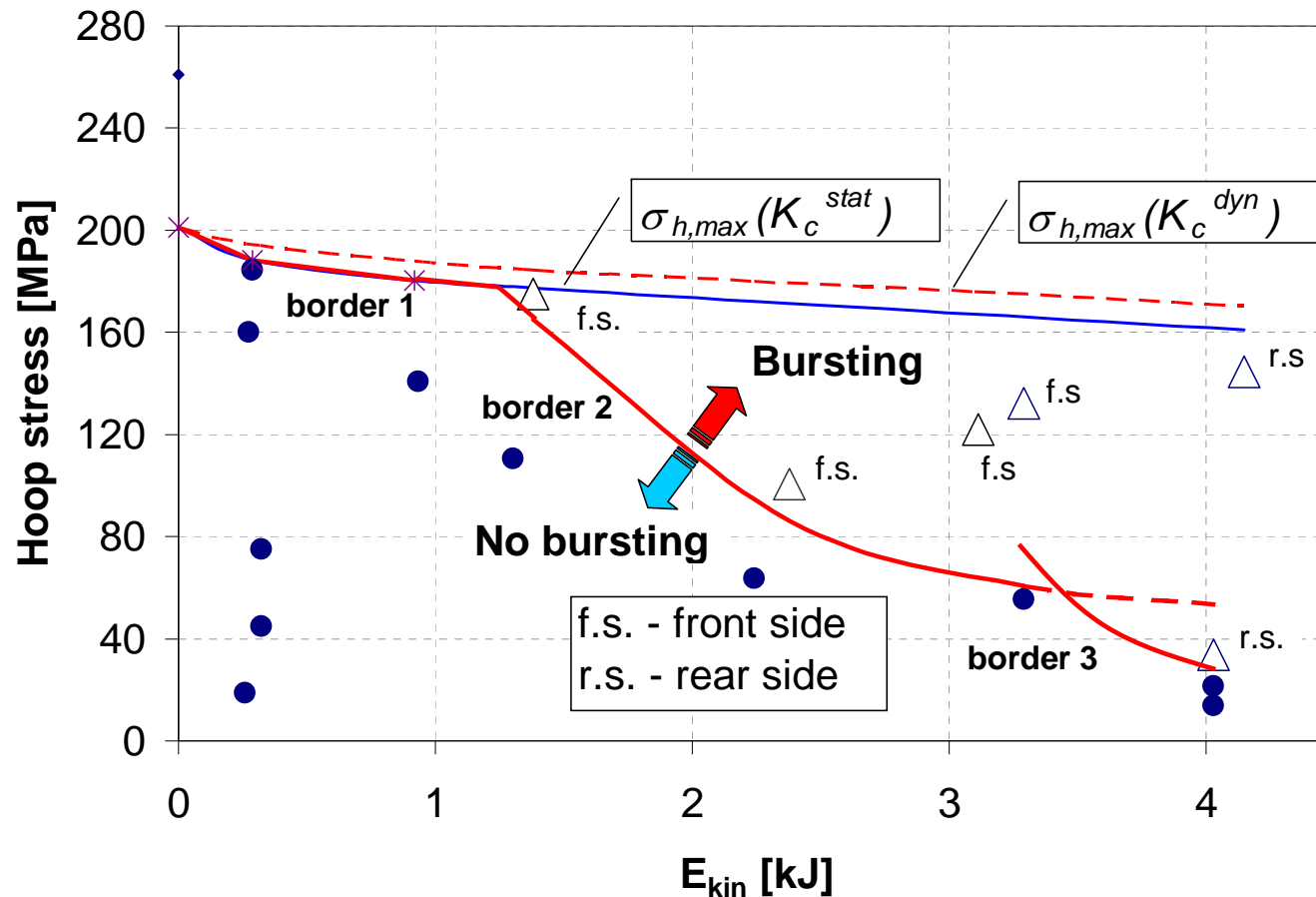


a)



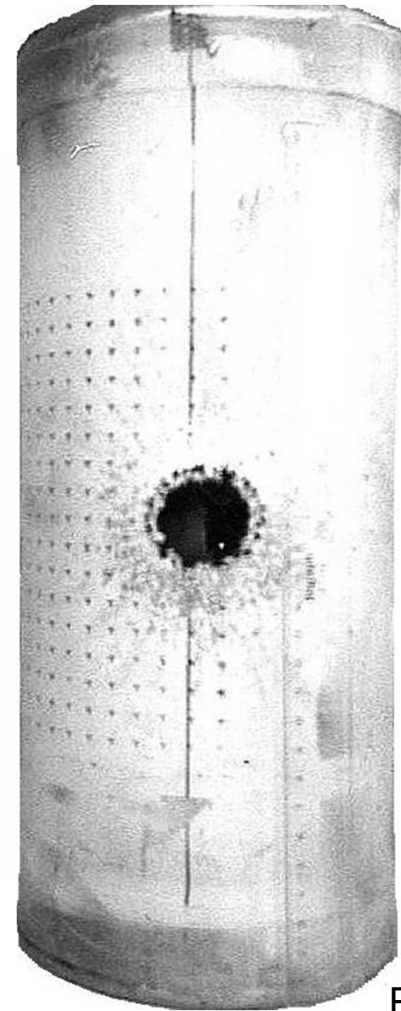
b)

Borders between simple perforation and catastrophic failure



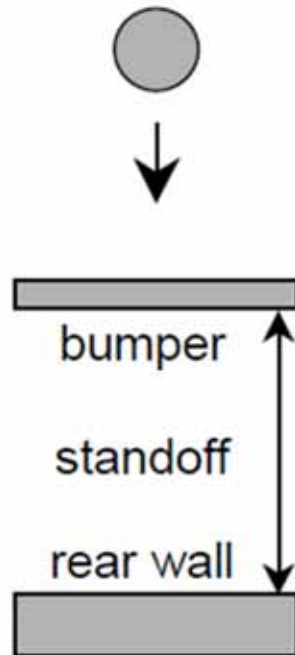
I. Ye. Telitchev, F. Schaefer, E. Schneider, and M. Lambert, "Analysis of the fracture of gas-filled pressure vessels under hypervelocity impact", *International Journal of Impact Engineering*, Elsevier Science, Vol. **23**, pp. 905-919, 1999.

Effect of Shield on Damage Pattern

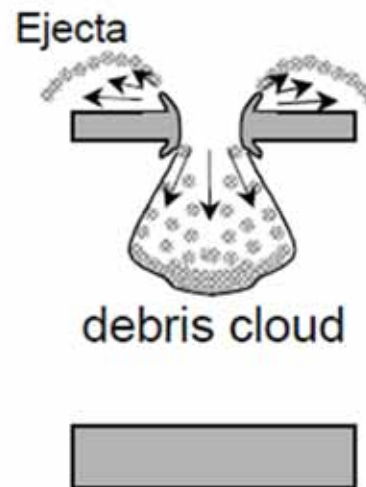


Pressure vessels failure
© ESA

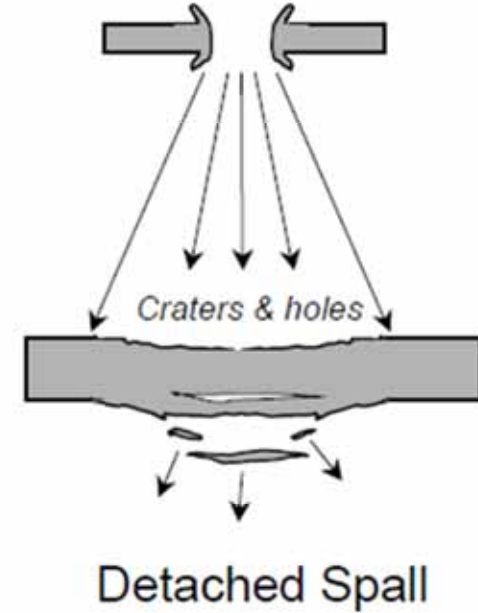
Whipple Shield Concept



a) Whipple shields consist of a bumper, standoff (gap or spacing), and rear wall.

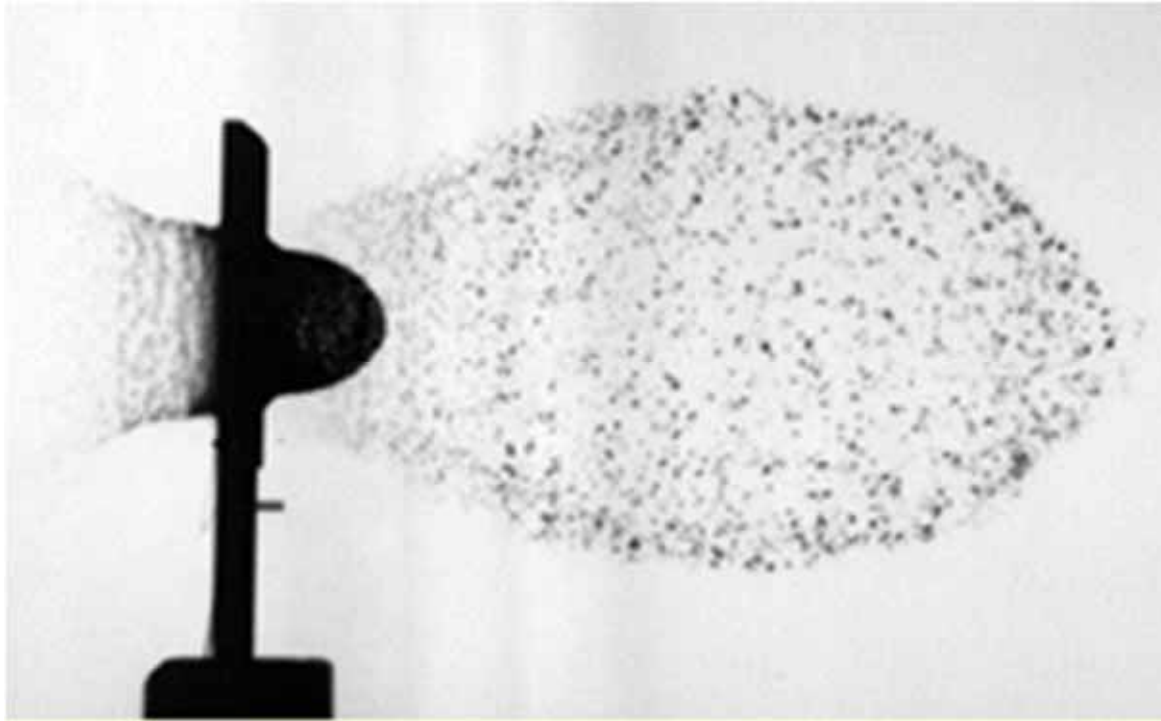


b) Hypervelocity impacts will generate a cloud of bumper and projectile debris that can contain solid fragments, liquid, and vapor particles.



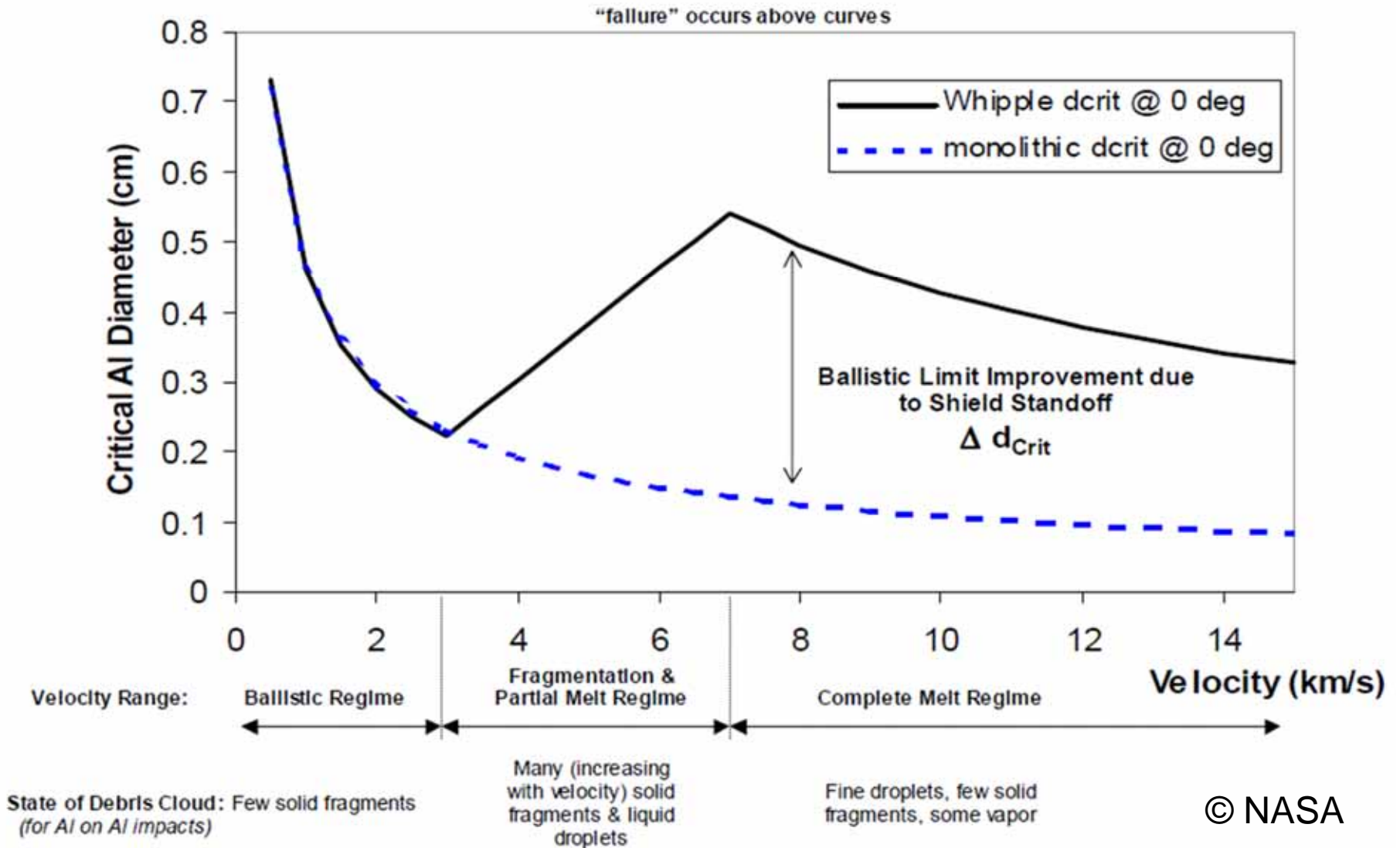
c) The rear wall must survive the fragments and debris cloud impulsive loading. It could fail by perforation from solid fragments, spall, or tear and petal from the impulsive loading.

Debris Cloud

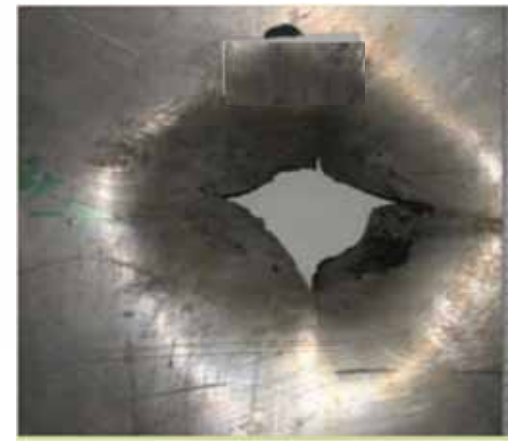


Impact of al. sphere on a titanium shield at 5.7 km/s (Fhg-EMI)

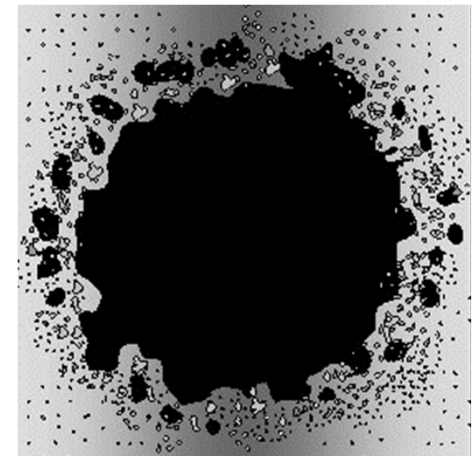
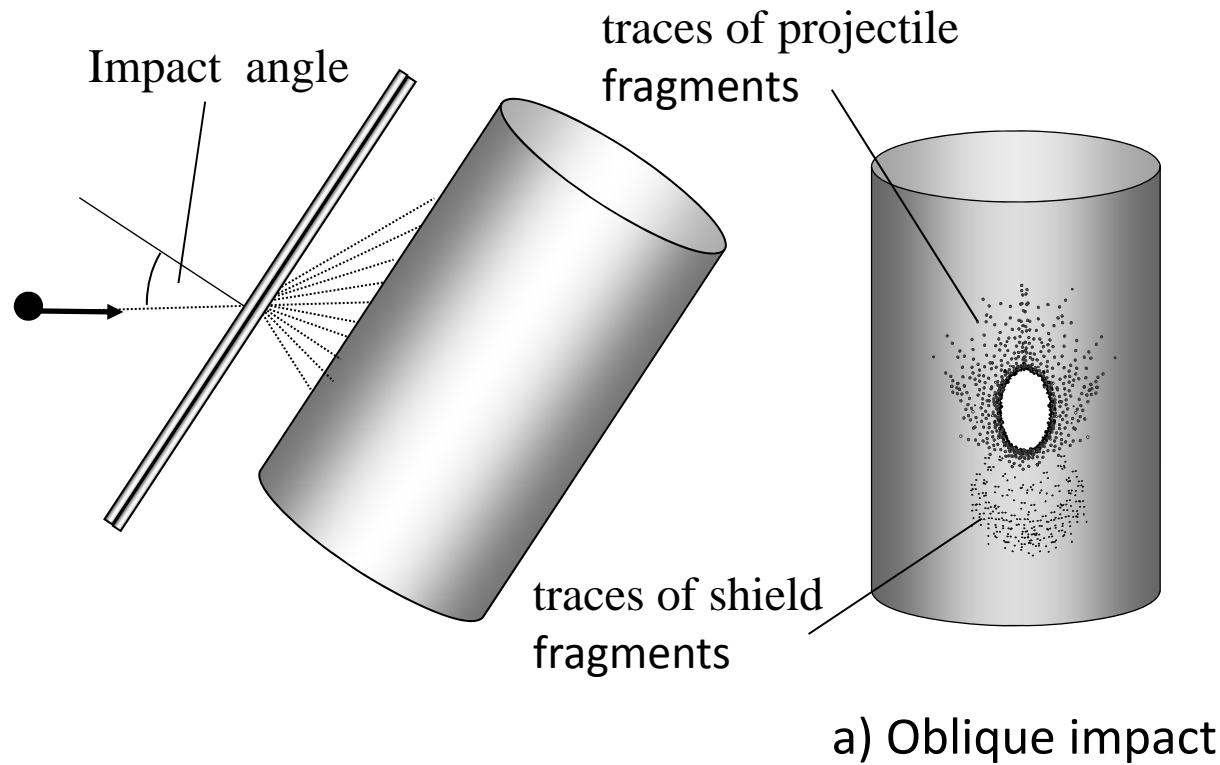
Ballistic Limit Curves



Effect of Shield on Damage Pattern



Effect of Shield on Damage Pattern



Classification of post-impact scenarios

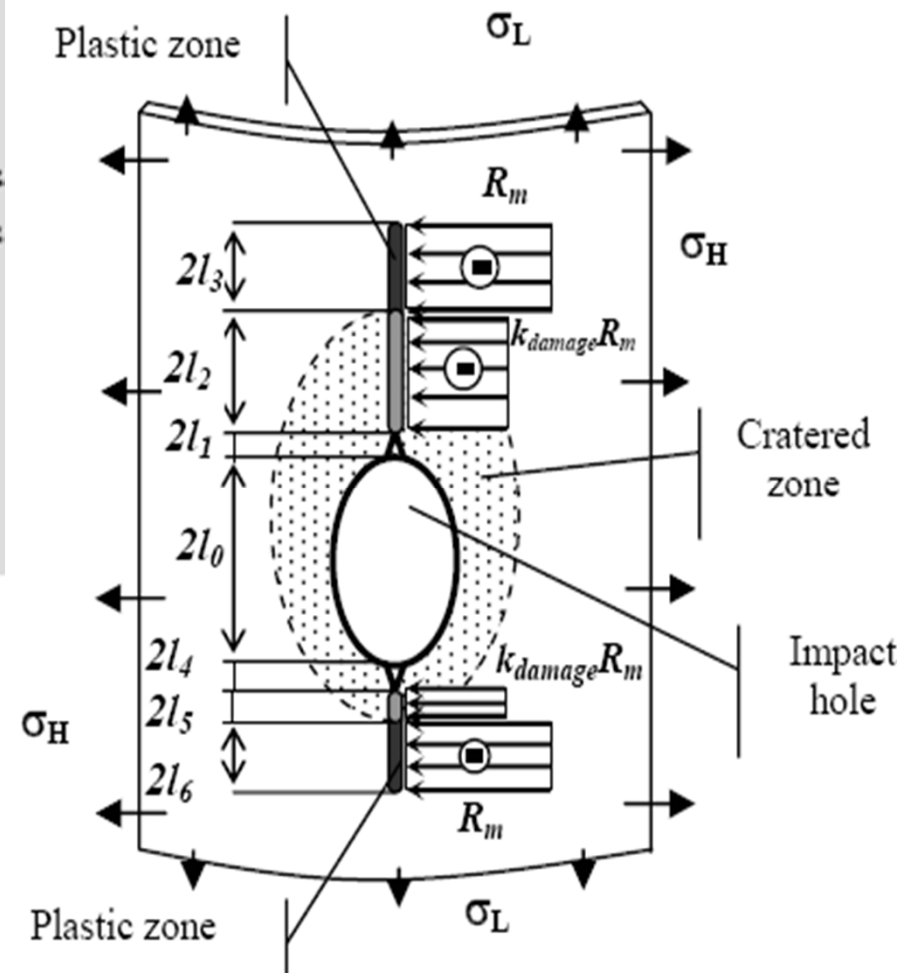
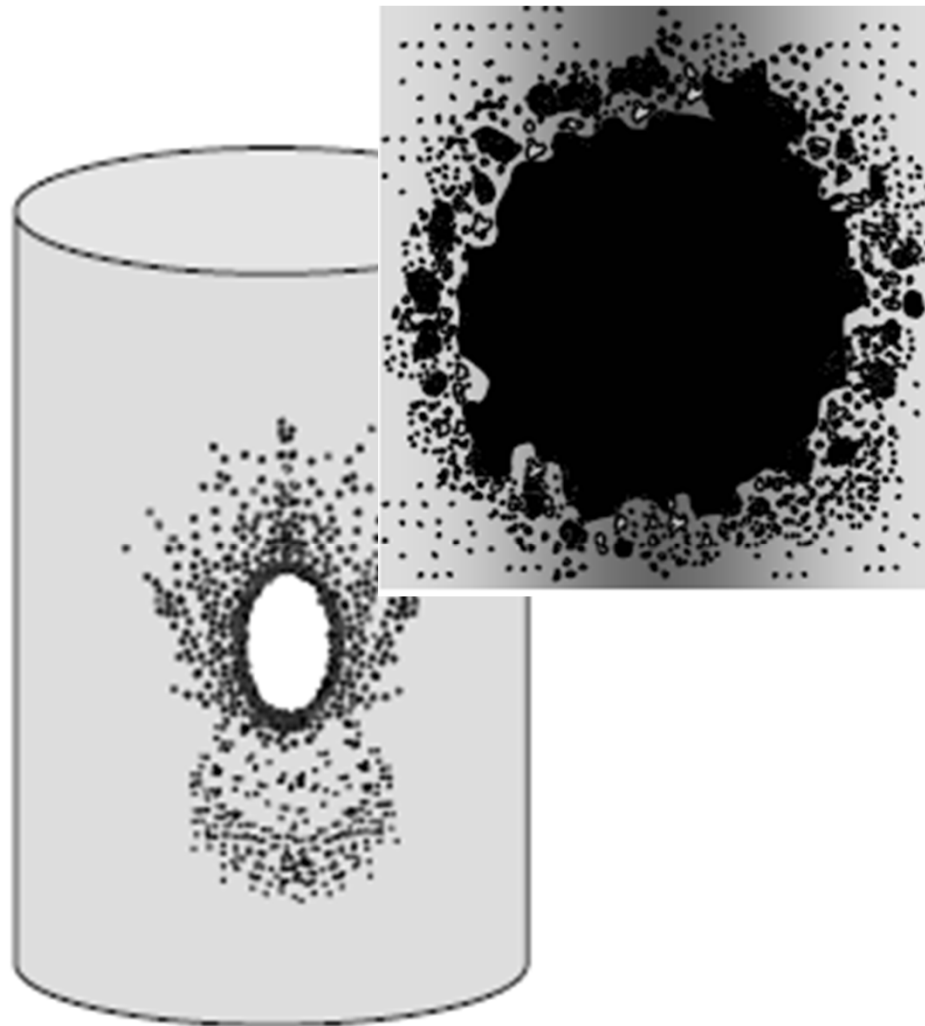
Case 1: Shallow craters on the surface of structure. No perforation of primary wall. No unstable crack propagation. The spacecraft is capable to continue its mission.

Case 2: Surface of primary wall is densely cratered and has few small perforations. No unstable crack propagation. Possible pressure decay. Under normal conditions the spacecraft is capable to continue its mission.

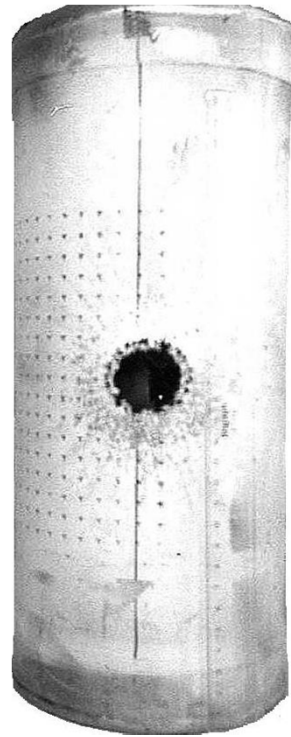
Case 3: Perforation, bulging and petalling at the pressurized wall. Possible unstable crack propagation. **Possible termination of the mission.**

Case 4: Large impact hole with rough rim surrounded by a densely cratered ring with small perforations in the pressurized wall. Possible unstable crack propagation. **Possible termination of the mission .**

Model of shielded+damaged structure

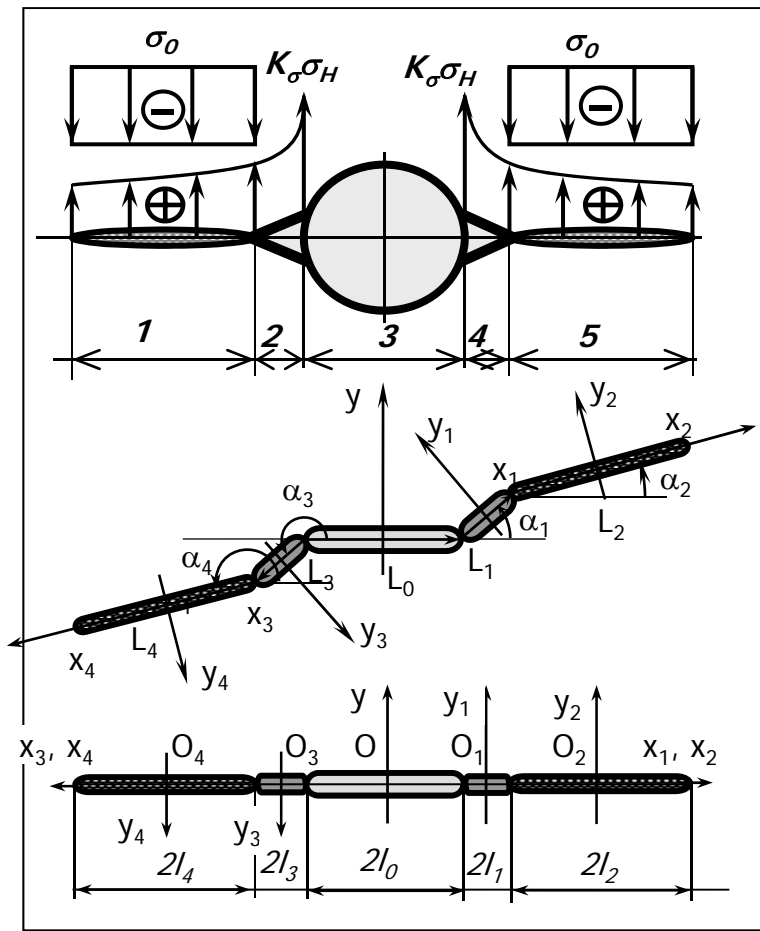


Model of shielded+damaged structure



	Exp. #20	Exp. #21
Hoop stress, MPa	80.3	83.3
Secondary impact hole, mm	36	33
Impact test result	No crack propagation	No crack propagation
Numerical test result	No crack propagation	No crack propagation

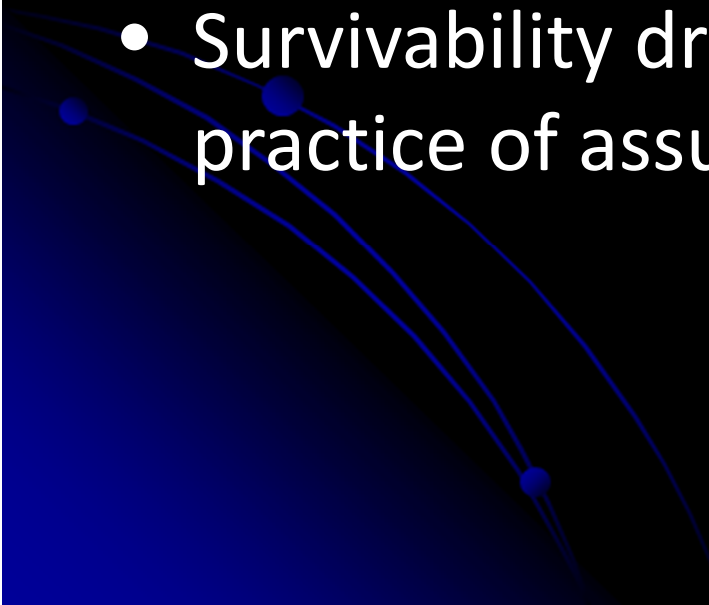
Model of Crack Initiation and Propagation



- deviation of crack from the original path due to the structural irregularities
- Effect of stiffeners on crack propagation/arrest



Survivability Driven Design Approach

- Traditional safety requirements only look at the “probability of no penetration”
 - Survivability driven design is based on the practice of assuming the hazard has occurred
- 



Space Debris Study at the University of Manitoba

- The long-term objective is to develop a strong scientific basis for design of spacecraft working in orbital debris environment
- The short-term objective is to advance the understanding and modeling techniques of spacecraft pressurized structures response to hypervelocity impact

Acknowledgement

- Dr. M. Lambert, ESA/ESTEC
- Dr. E. Schneider, Ernst-Mach-Institute
- Dr. Frank Schaefer, Ernst-Mach-Institute
- Dr. Robert Sierakowski, AFRL/MN
- Dr. John Rogacki, Univ. of Florida-REEF